

# SKYDÔME®

THERMIK'

VERSION



## Filling

- THERMIK' RANGE:**
- Solid PC triple dome

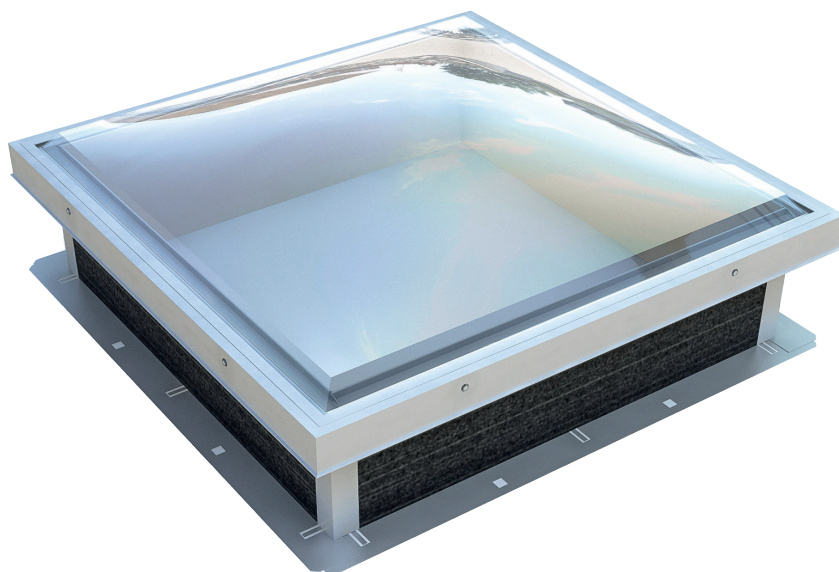


## Upstand

- Lacquered interior (standard RAL colours)
- Colaminated sheet steel top for PVC waterproofing
- Galvanised sheet steel top for PVC waterproofing
- Bare insulation for PVC waterproofing

- THERMIK' RANGE:**
- Height 360 mm with a 30 mm bituminous insulating coating

The SKYDÔME® is a skylight intended for waterproofed flat roofs on all types of buildings (including public facilities, work premises and industrial buildings).



Also available:



## OPTIONS



### Filling

- Solid PC triple dome



### Upstand

- Upstand height: 410 mm or more
- Lacquered interior (standard RAL colours)
- Colaminated sheet steel top for PVC waterproofing
- Galvanised sheet steel top for PVC waterproofing
- Bare insulation for PVC waterproofing



### Other information

- 6 mm round bar or 16 x 16 mm 1200 joule square tube grid, galvanised or lacquered in standard RAL
- Pleated blind for horizontal installation in the product, for 100 x 100 cm and 120 x 120 cm dimensions (contact us for other dimensions)

### Capping upstand

See page 7 for details.

## Dimensions

Roof opening dimensions A x B (cm)	Overall heel dimensions C x D (cm)	Height H* (cm)	Light surface (m <sup>2</sup> )	Weight (kg)
50 x 50	68 x 68	44	0.25	20
85 x 85	103 x 103	51	0.73	38
100 x 100	118 x 118	53	1.00	46
120 x 120	138 x 138	54	1.44	57
140 x 140	158 x 158	59	1.96	70
150 x 150	168 x 168	60	2.25	76
160 x 160	178 x 178	62	2.56	83
180 x 180	198 x 198	65	3.24	97
200 x 200	218 x 218	69	4.00	112
70 x 100	88 x 118	48	0.70	38
100 x 140	118 x 158	53	1.40	57
100 x 150	118 x 168	53	1.50	60
100 x 200	118 x 218	53	2.00	74
140 x 200	158 x 218	59	2.80	89

Contact us for other dimensions. \* For an upstand height of 360 mm.

## Filling performance

Other filling and filling options: see "Filling" data sheet

Type of filling	Thermal transmittance factor U <sub>g</sub> (W/m <sup>2</sup> .K)	LT D65 <sup>(2)</sup>	SF or g <sup>(2)</sup>	Reaction to fire	R <sub>w</sub> (dB) <sup>(3)</sup>
	U <sub>hor</sub> <sup>(1)</sup>				
Domes	Opal solid PC triple dome Opal PMMA upper dome + transparent intermediate dome + transparent lower dome	2.76	ND	ND	ND
	Opal solid PC triple dome Opal solid PC upper dome + transparent solid PC intermediate dome + transparent solid PC lower dome	2.76	ND	ND	ND

<sup>(1)</sup>As per §2.31 of the Th-Bat regulations.

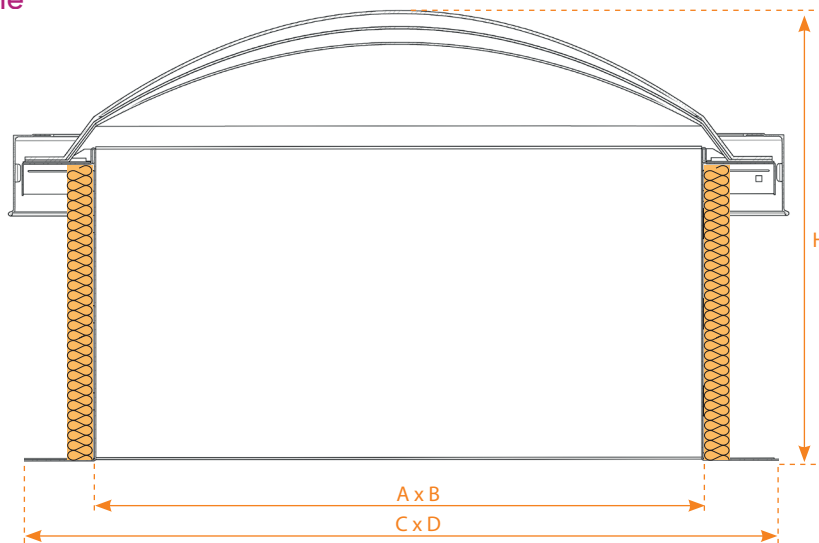
<sup>(2)</sup>Light transmittance LT D65 and solar transmittance SF (TST or g) as per EN 410.

<sup>(3)</sup>Filling insulated against airborne noise R<sub>w</sub>, pink noise R<sub>k</sub> (environment, airport and industrial activities) and road noise R<sub>k,10</sub>, laboratory-measured according to NF EN ISO 140.

## Technical diagrams

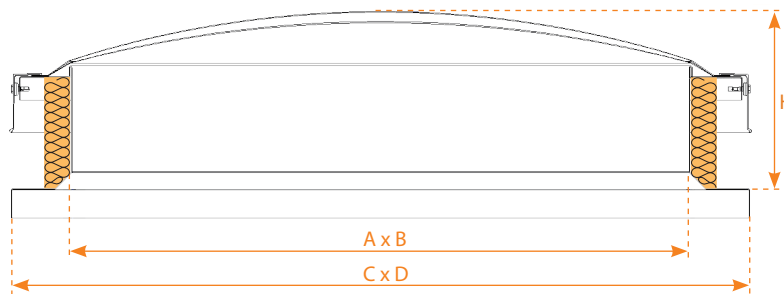
### THERMIK' range

SKYDÔME triple dome



### THERMIK' range capping upstand

SKYDÔME triple dome



## COMPLIANCE & INSTALLATION

CE certified NSHEV compliant with NF EN 2 1873.

The product must be fastened and sealed in accordance with the requirements defined in the applicable DTU specifications (series 40 and 43).

Maximum insulation height: as per the DTUs, the sealing flashing must extend to a height of at least 150 mm.

The waterproofing complex (substrate, vapour barrier, insulation and two-layer sealant) must be no thicker than 140 mm for an interior upstand height of 310 mm, or 240 mm for an interior upstand height of 410 mm.

Maximum permissible slope: 25° or 46% (see installation instructions).

Only the security bar option provides guaranteed 1200 joule protection.

**DoP available at [www.skydome.eu](http://www.skydome.eu)**

## Trade name

Trade name		Filling	Upstand insulation
SKYDÔME	THERMIK' 3xD	<b>Triple dome</b> Opal upper dome + transparent intermediate dome + transparent lower dome	Upstand height: <b>360 mm</b> Insulation: <ul style="list-style-type: none"> <li>• on vertical part of upstand</li> <li>• on upstand lip</li> </ul>

## Air permeability and light surface

Roof opening dimensions A x B (cm)	Air flow (m <sup>3</sup> /h) - Class AP06 <sup>(1)</sup>		ELS <sup>(2)</sup> (m <sup>2</sup> )	
	Less than 4 Pa	Less than 50 Pa	360 mm upstand	410 mm upstand
50 x 50	0.18	2.46	0.07	0.07
85 x 85	0.31	4.18	0.25	0.24
100 x 100	0.36	4.92	0.36	0.35
120 x 120	0.43	5.90	0.54	0.52
140 x 140	0.50	6.89	0.75	0.73
150 x 150	0.54	7.38	0.86	0.85
160 x 160	0.58	7.87	0.99	0.98
180 x 180	0.65	8.86	1.27	1.25
200 x 200	0.71	9.72	1.54	1.52
70 x 100	0.31	4.18	0.24	0.23
100 x 140	0.43	5.90	0.52	0.51
100 x 150	0.45	6.15	0.56	0.55
100 x 200	0.54	7.44	0.76	0.74
140 x 200	0.61	8.36	1.09	1.07

<sup>(1)</sup> Air permeability tests carried out at the CSTC test centre as per NF EN 1873 protocols (with reference to the standards NF EN 12152 and NF EN 12153).

<sup>(2)</sup> Effective light surface calculated with white lacquered upstand and PCA 16 filling

## Acoustic performance

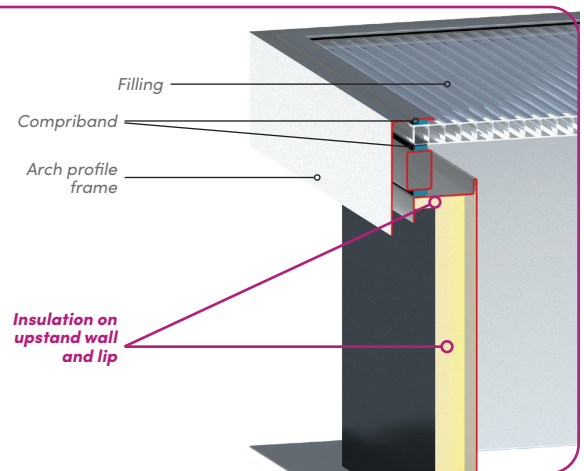
	Triple dome
Acoustic attenuation Rw (C;Ctr) (dB)	20(0;-2)
Rain-generated sound intensity Lia (dB)	63

RW = acoustic attenuation index laboratory-measured according to EN410 (airborne noise) - R<sub>a</sub> = R<sub>a</sub> + C = "pink noise" attenuation index - R<sub>a,rt</sub> = R<sub>a</sub> + C<sub>tr</sub> = "road noise" attenuation index  
 \*Overall performance of the unit fitted with ACOUSTIK' LIGHT filling is stated for the CONFORT and ELITE ranges only

**Product  $U_{RC}$ : 2 W/m<sup>2</sup>.K\***

**ENHANCED THERMAL INSULATION**

- ✓ **Wide range of filling options** with different thermal insulation, light transmittance and solar factor performance
- ✓  **$U_{RC} = 2 \text{ W/m}^2.\text{K}^*$**
- ✓ **Compliant with applicable DTU specifications**



**Thermal performance:  $U_{RC}$  (W/m<sup>2</sup>.K) and  $A_{RC}$  (m<sup>2</sup>)**

SKYDÔME®				
Dimensions (cm)	Upstand height: 360 mm		Upstand height: 410 mm	
	$U_{RC}$	$A_{RC}$	$U_{RC}$	$A_{RC}$
	Triple dome		Triple dome	
50 x 50	2.1	1.2	2.2	1.3
85 x 85	2.2	2.2	2.3	2.4
70 x 100	2.2	7.2	2.3	7.6
100 x 100	2.3	2.7	2.4	2.9
120 x 120	2.3	3.5	2.4	3.7
140 x 140	2.4	4.3	2.4	4.6
150 x 150	2.4	4.7	2.4	5.1
160 x 160	2.4	5.2	2.5	5.6
180 x 180	2.4	6.2	2.5	6.6
195 x 200	/	/	/	/
200 x 200	2.4	8.0	2.5	8.4
100 x 140	2.3	2.2	2.4	2.3
100 x 150	2.3	3.4	2.4	3.7
100 x 200	2.4	4.5	2.4	4.8
120 x 200	2.4	/	2.5	/
140 x 200	2.4	5.6	2.5	6.0
120 x 250	/	/	2.5	/
150 x 300	/		/	
160 x 250	/		/	
195 x 250	/		/	
195 x 300	/		/	

\* For a 140 x 200 cm unit with a 410 mm high upstand and triple dome filling.

**FOR RENOVATION AND COMPLIANCE WORKS**

The **SKYDÔME® CAPPING UPSTAND** is designed to fit any type of upstand, whether for compliance reasons or to change the unit's purpose while retaining the existing upstand.



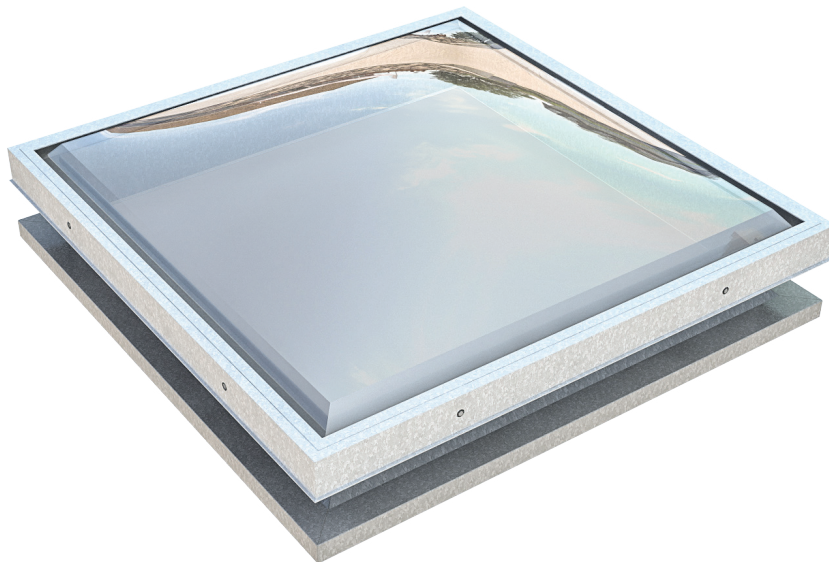
**Filling**

- THERMIK' RANGE:**
- PMMA triple dome

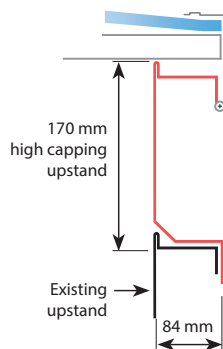
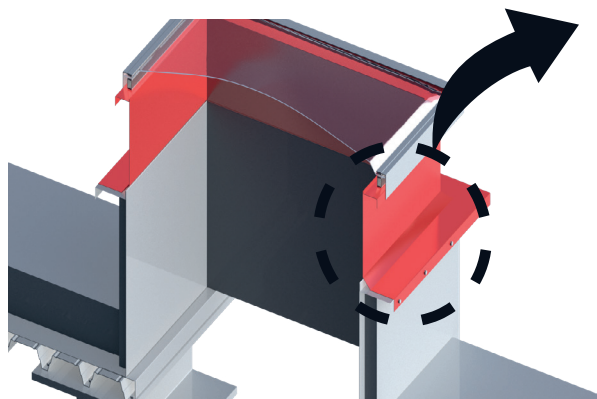


**Upstand**

- 1.2 mm galvanised steel
- THERMIK' RANGE:**
- Height 170 mm
  - Bevelled adapter upstand with 84mm heel and 40mm overlap



**Installation diagram**



**Options**

Standard options list p.1

**Upstand**

- Heel width on request for fitting to existing substrate
- Upstand height on request

## Dimensions & aeraulic performance

Roof opening dimensions A x B (cm)	Overall heel dimensions C x D (cm)	Height H* (cm)	Light surface (m <sup>2</sup> )	Product weight (kg)
<b>50 x 50</b>	<b>67 x 67</b>	30	0.25	15
<b>85 x 85</b>	<b>102 x 102</b>	51	0.73	29
<b>100 x 100</b>	<b>117 x 117</b>	39	1.00	36
<b>120 x 120</b>	<b>137 x 137</b>	42	1.44	45
<b>140 x 140</b>	<b>157 x 157</b>	45	1.96	55
<b>150 x 150</b>	<b>167 x 167</b>	46	2.25	61
<b>160 x 160</b>	<b>177 x 177</b>	48	2.56	66
<b>180 x 180</b>	<b>197 x 197</b>	51	3.24	78
<b>200 x 200</b>	<b>217 x 217</b>	55	4.00	91
<b>70 x 100</b>	<b>87 x 117</b>	34	0.70	29
<b>100 x 140</b>	<b>117 x 157</b>	39	1.40	45
<b>100 x 150</b>	<b>117 x 167</b>	39	1.50	47
<b>100 x 200</b>	<b>117 x 217</b>	39	2.00	58
<b>140 x 200</b>	<b>157 x 217</b>	45	2.80	71

Contact us for other dimensions. \* For an upstand height of 170 mm

## Thermal performance: $U_{RC}$ (W/m<sup>2</sup>.K) and $A_{RC}$ (m<sup>2</sup>)

SKYDÔME® capping upstand		
Dimensions (cm)	THERMIK'	
	$U_{RC}$	$A_{RC}$
	Triple dome	
<b>050 x 050</b>	2.6	0.7
<b>085 x 085</b>	2.8	1.5
<b>070 x 100</b>	2.8	5.6
<b>100 x 100</b>	2.8	1.9
<b>120 x 120</b>	2.8	2.5
<b>140 x 140</b>	2.8	3.2
<b>150 x 150</b>	2.8	3.6
<b>160 x 160</b>	2.8	4.0
<b>180 x 180</b>	2.8	4.8
<b>195 x 200</b>	/	/
<b>200 x 200</b>	2.8	5.7
<b>100 x 140</b>	2.8	1.5
<b>100 x 150</b>	2.8	2.5
<b>100 x 200</b>	2.8	2.6
<b>120 x 200</b>	2.8	/
<b>140 x 200</b>	2.8	4.3

---

**SKYDÔME**

Entre Deux Villes  
02270 Sons-Et-Ronchères, France  
Tel: +33 (0)3 23 21 79 90  
Email: [info@skydome.eu](mailto:info@skydome.eu)  
[www.skydome.eu](http://www.skydome.eu)

For the product range in other countries, please contact your local representative or visit [www.skydome.eu](http://www.skydome.eu).

SKYDÔME reserves the right to modify product specifications without notice. The information and technical details contained in this documentation are provided in good faith and apply to the uses described. The recommendations for use must be checked to ensure they are appropriate and comply with the actual requirements, the specifications and all applicable legislation and regulations.

For other applications and conditions of use, please contact our technical team. Their advice must be sought concerning uses of our products that are not described specifically herein.

Click this link to check that you are seeing the most up-to-date and accurate information about our products:

[https://www.skydome.eu/fr/produit/5\\_skydome.html](https://www.skydome.eu/fr/produit/5_skydome.html)



For **WATERPROOFED ROOFS OR EXISTING UPSTANDS**

# SKYDÔME®

CE  
EN 1873 + A1: 2016

**ORIGIN'** **VERSION**



## Filling

### ORIGIN' RANGE

- (depending on dimensions):
- PMMA double dome



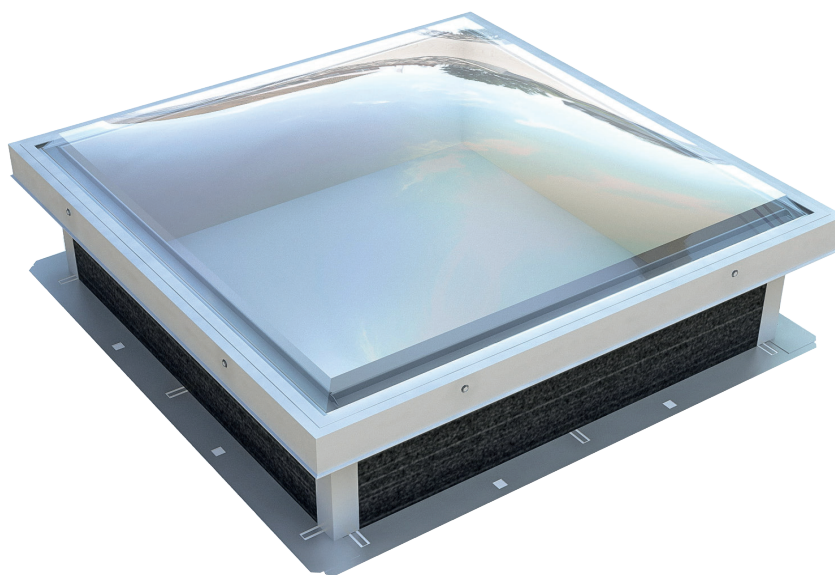
## Upstand

- Straight upstand
- 1.2 mm galvanised steel

### ORIGIN' RANGE:

- Height 310 mm with a 15 mm bituminous insulating coating

The SKYDÔME® is a skylight intended for waterproofed flat roofs on all types of buildings (including public facilities, work premises and industrial buildings).



Also available:



## OPTIONS



### Types of filling

- Double dome, triple dome or triple dome on request, depending on dimensions
- Transparent dome on request, depending on dimensions
- Other options: single dome, double pyramid, coloured dome

### Available colours:

- Orange
- Indigo
- Ruby
- Emerald
- Sapphire
- Onyx
- Bronze
- Transparent
- Opal



### Upstand

- Upstand height: from 310 mm, 360 mm, 410 mm or more
- Lacquered interior (standard RAL colours)
- Colaminated sheet steel top for PVC waterproofing
- Galvanised sheet steel top for PVC waterproofing
- Bare insulation for PVC waterproofing

### Capping upstand

See page 4 for details.



### Other information

- 6 mm round bar or 16x16 mm 1200 joule square tube grid, galvanised or lacquered in standard RAL
- Pleated blind for horizontal installation in the product, for 100 x 100 cm and 120 x 120 cm dimensions (contact us for other dimensions)

## Dimensions

Roof opening dimensions A x B (cm)	Overall heel dimensions C x D (cm)	Height H* (cm)	Light surface (m <sup>2</sup> )	Product weight (kg)
50 x 50	68 x 68	44	0.25	20
85 x 85	103 x 103	51	0.73	38
100 x 100	118 x 118	53	1.00	46
120 x 120	138 x 138	54	1.44	57
140 x 140	158 x 158	59	1.96	70
150 x 150	168 x 168	60	2.25	76
160 x 160	178 x 178	62	2.56	83
180 x 180	198 x 198	65	3.24	97
200 x 200	218 x 218	69	4.00	112
70 x 100	88 x 118	48	0.70	38
100 x 140	118 x 158	53	1.40	57
100 x 150	118 x 168	53	1.50	60
100 x 200	118 x 218	53	2.00	74
140 x 200	158 x 218	59	2.80	89

Contact us for other dimensions.  
\* For an upstand height of 310 mm.

## Filling performance (depending on dimensions)

Other filling and filling options: see "Filling" data sheet.

Type of filling	Thermal transmittance factor Ug (W/ m <sup>2</sup> .K)	LT D65 <sup>(2)</sup>	SF or g <sup>(2)</sup>	Reaction to fire	R <sub>w</sub> (dB) <sup>(3)</sup>	
	U <sub>hor</sub> <sup>(1)</sup>					
Domes	Transparent PMMA single dome	6.38	91%	92%	ND	ND
	Opal PMMA single dome	6.38	91%	92%	ND	ND
	Transparent solid PC single dome	6.38	91%	92%	ND	ND
	Opal solid PC single dome	6.38	84%	86%	ND	ND

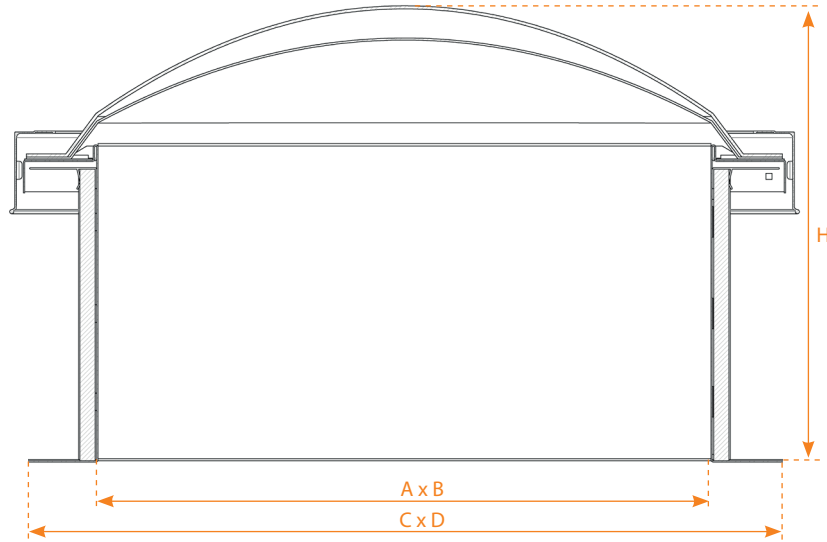
<sup>(1)</sup>Relative to the horizontal, as per §2.31 of the Th-Bat regulations.

<sup>(2)</sup>Light transmittance LT D65 and solar transmittance SF (TST or g) as per EN 410.

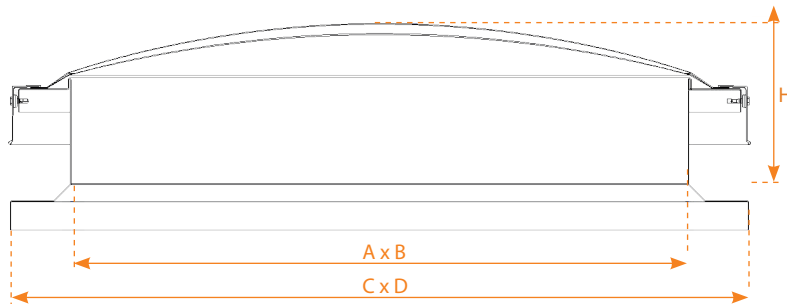
<sup>(3)</sup>Filling insulated against airborne noise R<sub>w</sub>, pink noise R<sub>a</sub> (environment, airport and industrial activities) and road noise R<sub>AW</sub>, laboratory-measured according to NF EN ISO 140.

Technical diagrams

ORIGIN' range  
SKYDÔME double dome



SKYDÔME double dome - Capping upstand



## FOR RENOVATION AND COMPLIANCE WORKS

The SKYDÔME® CAPPING UPSTAND is designed to fit any type of upstand, whether for compliance reasons or to change the unit's purpose **while retaining the existing upstand**.



### Filling

#### ORIGIN' RANGE:

- PMMA double dome

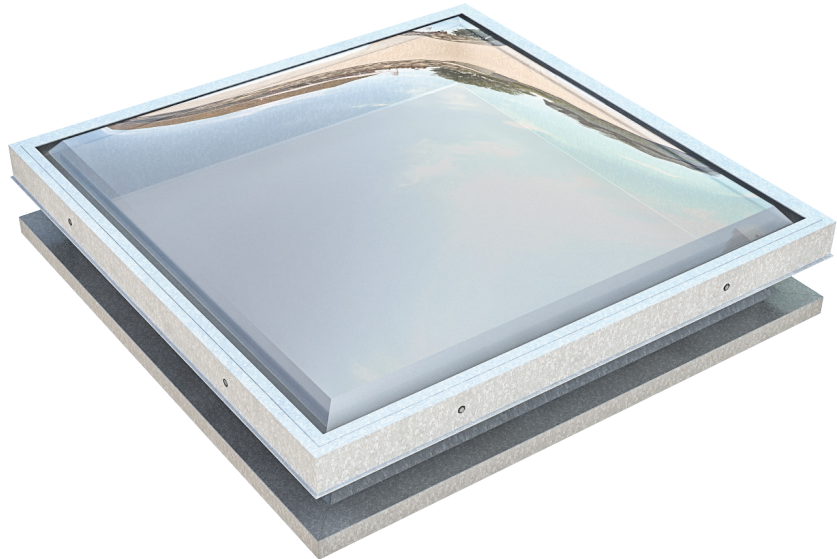


### Upstand

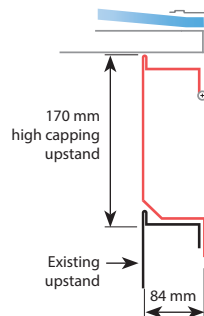
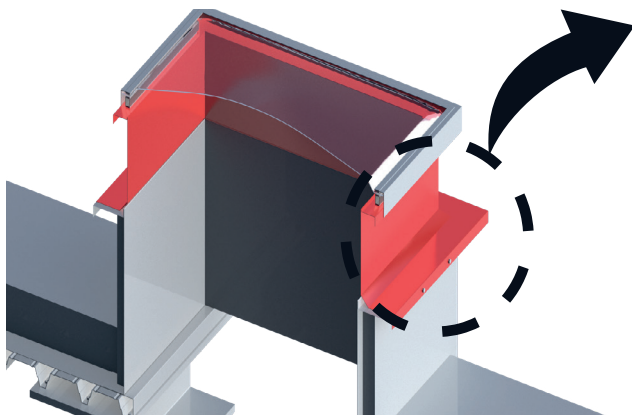
- Bevelled adapter upstand with 84 mm heel and 40 mm overlap
- 1.2 mm galvanised steel

#### ORIGIN' RANGE:

- Height 170 mm



## Installation diagram



## Options

Standard options list p.1

### Upstand

- Upstand insulation including a galvanised steel protection plate
- Heel width on request for fitting to existing substrate

## Dimensions

Roof opening dimensions A x B (cm)	Overall heel dimensions C x D (cm)	Height H* (cm)	Light surface (m <sup>2</sup> )	Product weight (kg)
<b>50 x 50</b>	<b>67 x 67</b>	30	0.25	15
<b>85 x 85</b>	<b>102 x 102</b>	51	0.73	29
<b>100 x 100</b>	<b>117 x 117</b>	39	1.00	36
<b>120 x 120</b>	<b>137 x 137</b>	42	1.44	45
<b>140 x 140</b>	<b>157 x 157</b>	45	1.96	55
<b>150 x 150</b>	<b>167 x 167</b>	46	2.25	61
<b>160 x 160</b>	<b>177 x 177</b>	48	2.56	66
<b>180 x 180</b>	<b>197 x 197</b>	51	3.24	78
<b>200 x 200**</b>	<b>217 x 217</b>	55	4.00	91
<b>70 x 100</b>	<b>87 x 117</b>	34	0.70	29
<b>100 x 140</b>	<b>117 x 157</b>	39	1.40	45
<b>100 x 150</b>	<b>117 x 167</b>	39	1.50	47
<b>100 x 200</b>	<b>117 x 217</b>	39	2.00	58
<b>140 x 200</b>	<b>157 x 217</b>	45	2.80	71

Contact us for other dimensions.  
 \* For an upstand height of 170 mm.  
 \*\*195 x 200 cm for PCA filling.

---

**SKYDÔME**

Entre Deux Villes  
02270 Sons-Et-Ronchères, France  
Tel: +33 (0)3 23 21 79 90  
Email: [info@skydome.eu](mailto:info@skydome.eu)  
[www.skydome.eu](http://www.skydome.eu)

For the product range in other countries, please contact your local representative or visit [www.skydome.eu](http://www.skydome.eu).

SKYDÔME reserves the right to modify product specifications without notice. The information and technical details contained in this documentation are provided in good faith and apply to the uses described. The recommendations for use must be checked to ensure they are appropriate and comply with the actual requirements, the specifications and all applicable legislation and regulations.

For other applications and conditions of use, please contact our technical team. Their advice must be sought concerning uses of our products that are not described specifically herein.

Click this link to check that you are seeing the most up-to-date and accurate information about our products:

[https://www.skydome.eu/fr/produit/5\\_skydome.html](https://www.skydome.eu/fr/produit/5_skydome.html)